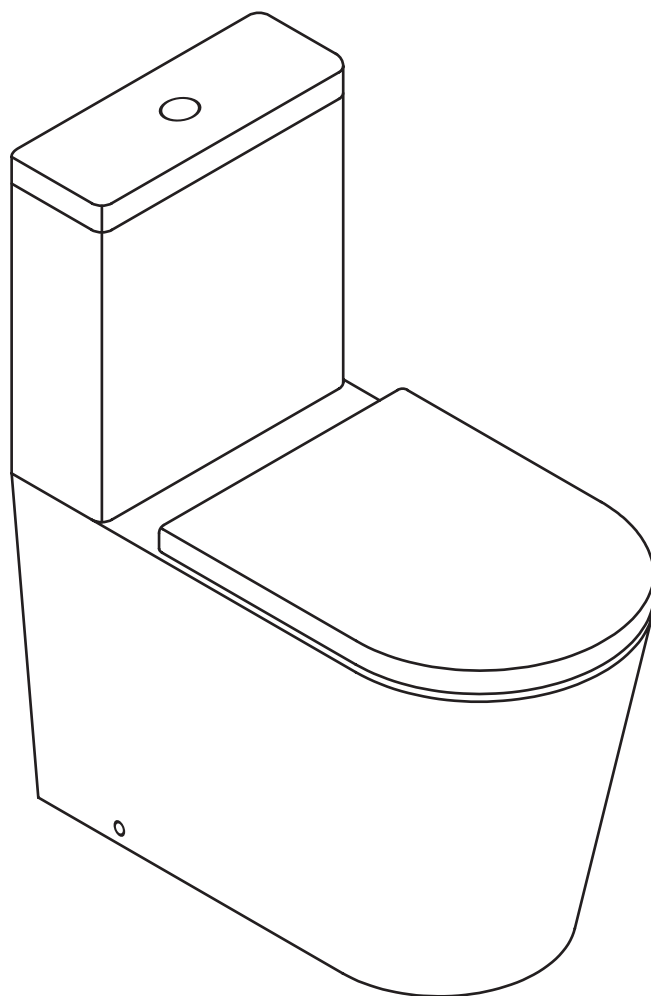


INSTALLATION INSTRUCTIONS

EVO PLUS 70 COMFORT BACK TO WALL TOILET SUITE

EVB70N

progetto
DESIGN COLLECTION



IMPORTANT!

Please read these instructions **prior** to installation

Distributed by:

Plumbline

T 04 568 9898 E sales@plumblin.e.co.nz
www.plumblin.e.co.nz

Care & Conditions Of Use

Clean your toilet with a damp cloth and a non-abrasive liquid cleaner. Stubborn stains and scratches can be removed with a light application of Brasso or a similar cutting compound. Avoid abrasive cleaners on plastic parts, and avoid solvents, heat and sharp objects altogether. The use of cleaners incorporating ingredients which have been identified as harmful effects on ceramic glazing will void the warranty.

General Installation Instructions

Please carefully check the toilet and cistern prior to installation to ensure it has not been damaged during handling or transport, and check that all parts have been supplied.

Installation should be carried out by a qualified, licensed tradesperson.

In the unlikely event of product failure, please refer to the Warranty Information on the back page.

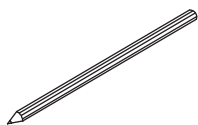
In new buildings it is recommended to fill the traps with water to ensure toxic gases do not corrode the surface of the taps and toilet seats fittings.

Fix all the outlet and inlet valves before installation.

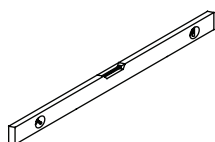
Periodic cleaning and maintenance should be used to avoid formation of damaging lime scale deposits.

Astringent cleaning agents may damage some materials, such as seat hinges and plastic components.

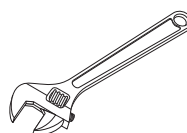
Tools Required For Installation



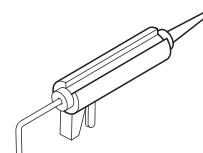
Pencil



Level



Adjustable Wrench

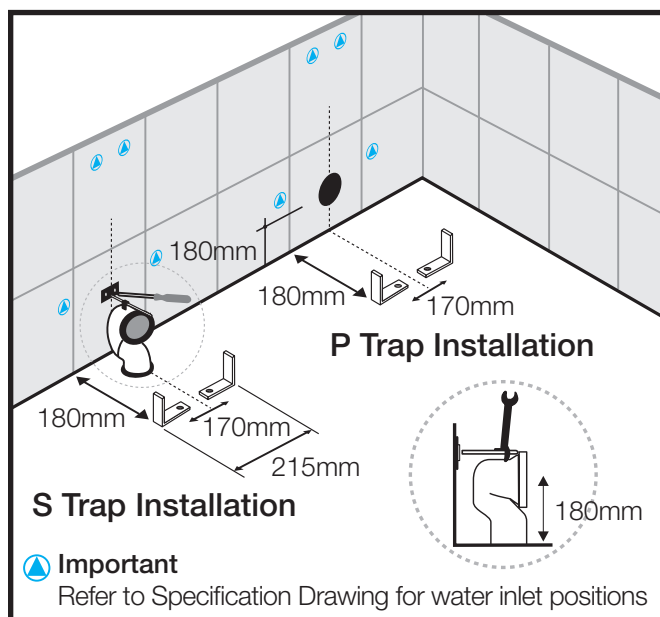


Caulking Gun/Silicone

Warranty Information

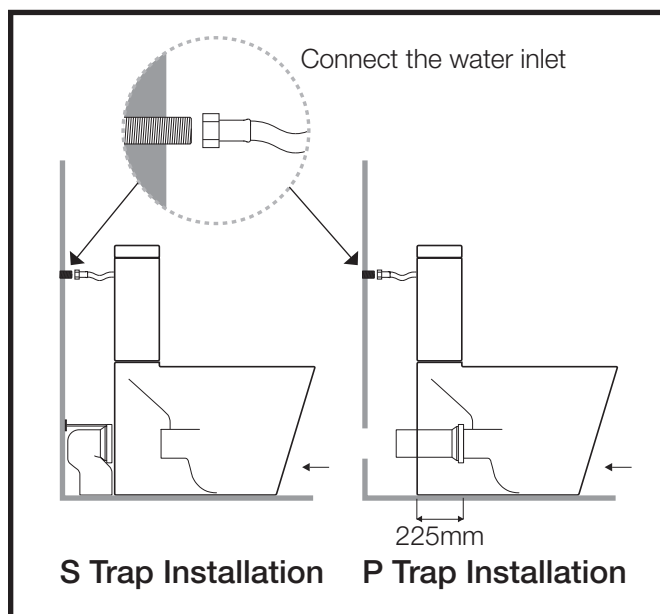
For full details about our warranty visit plumbline.co.nz/warranty-information

1. Prepare the water inlet, waste pipe and fixing brackets as per the dimensions illustrated at right and the Specification Drawing.



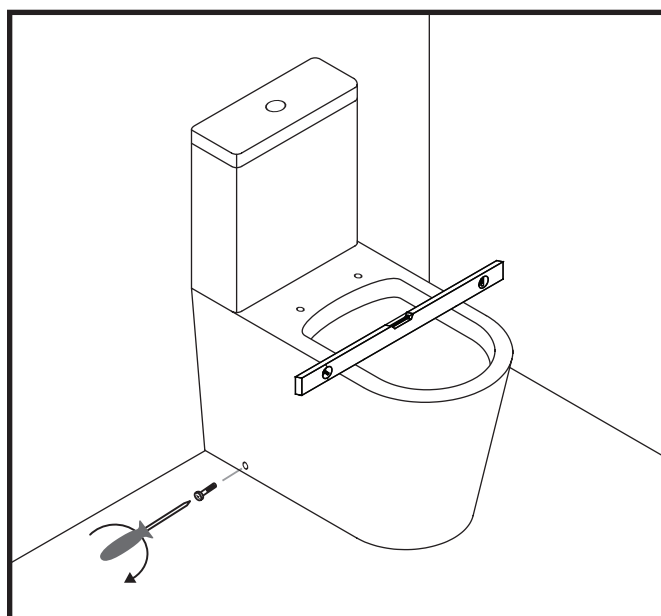
2. Install the flushing mechanism in the cistern. If you are using the rear water inlet option then connect the flexible hose to the connection on the wall.

Place the WC on the floor brackets and push it back against the wall, taking care of the waste pipe connection which must be perfectly aligned to each other. To make the connection easier apply some lubricant (e.g. liquid soap) to both sides.



3. Check that the toilet is level and if necessary put some packers underneath the toilet pan to level it up.

Align the toilet and secure it to the floor using the screws supplied. It is recommended to tighten the screws alternatively to secure an equal fit against the wall.



4. If you are using the bottom water inlet option then connect the flexible hose to your stop tap.

Make a final check for any water leaks, then apply a bead of silicone between the pan and adjacent surfaces.

Install the toilet seat as per the supplied toilet seat instructions.

