

Cistern Flushing Adjustments

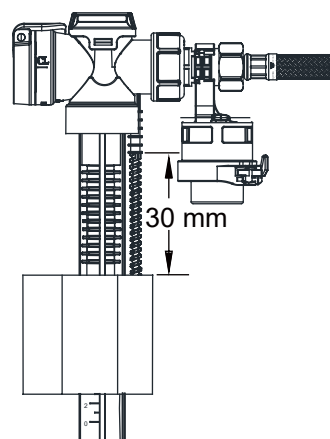
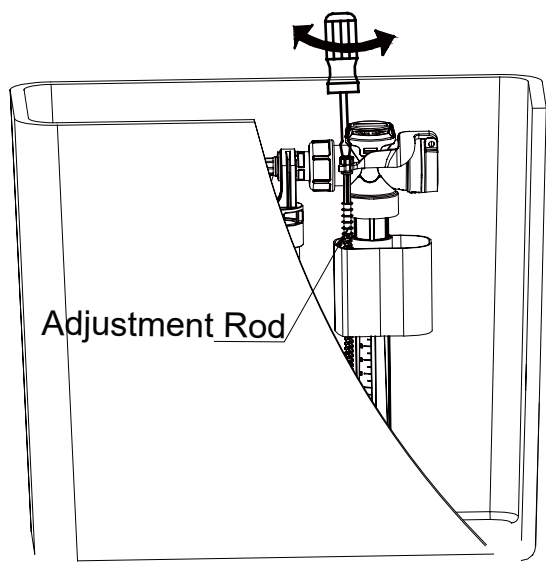
EVO AND ZEN BACK TO WALL TOILETS

Water Level Adjustment (Inlet Valve)

1. Locate the screw head on the adjustment rod of the inlet valve.
2. Use a screwdriver to adjust the water level in the cistern.

Adjusting it clockwise will rise the water level in the cistern and will increase the flush volume.

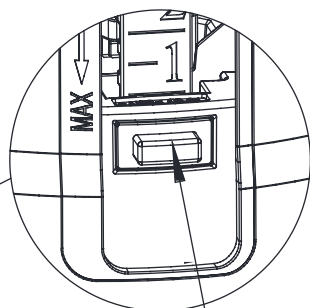
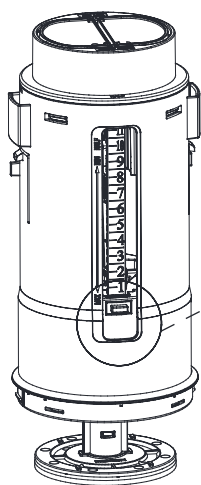
Adjusting it anti-clockwise will lower the water level in the cistern and will decrease the flush volume.



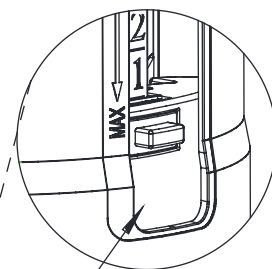
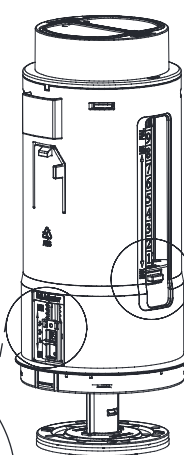
Water Outlet Adjustment (Outlet Valve)

Float Adjustment (Half Flush)

Moving the blue clip downwards increases the flush volume

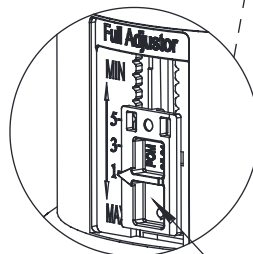


To adjust, press in the tag then slide up or down.



Float Adjustment (Full Flush)

Moving the white clip downwards increases the flush volume. To adjust, press in the tag then slide up or down.



Full Flush Adjuster

Moving the blue tag downwards increases the flush volume