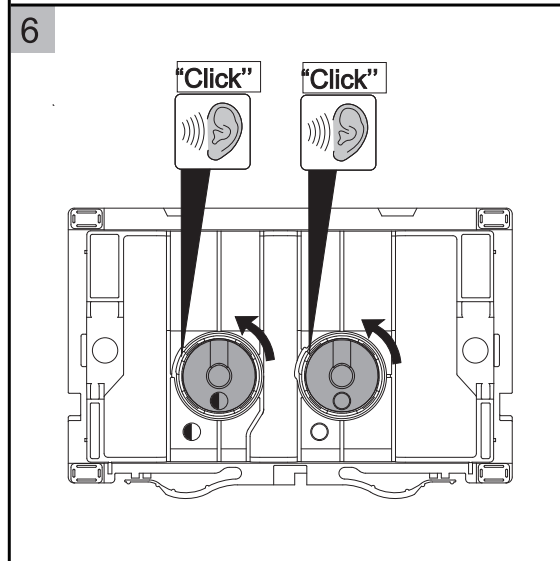
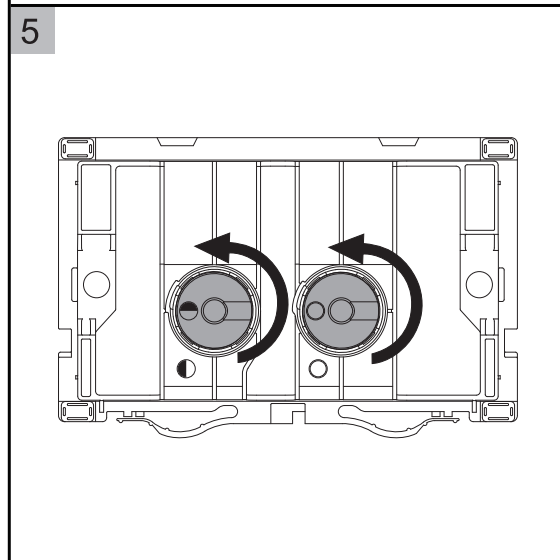
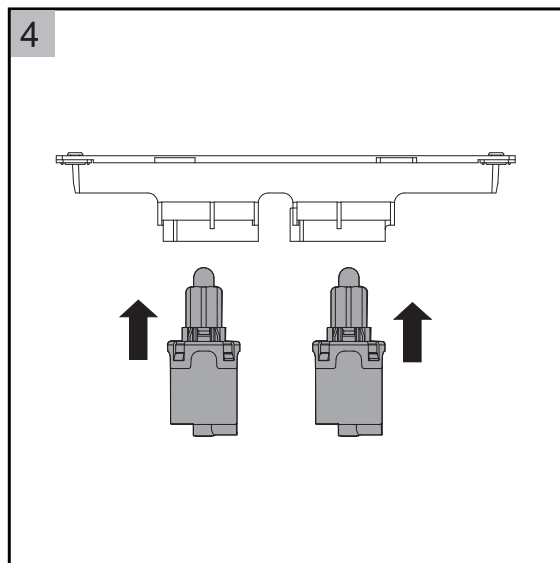
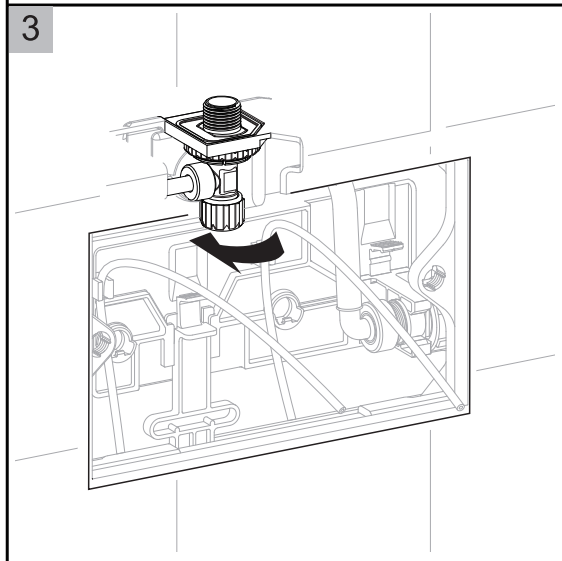
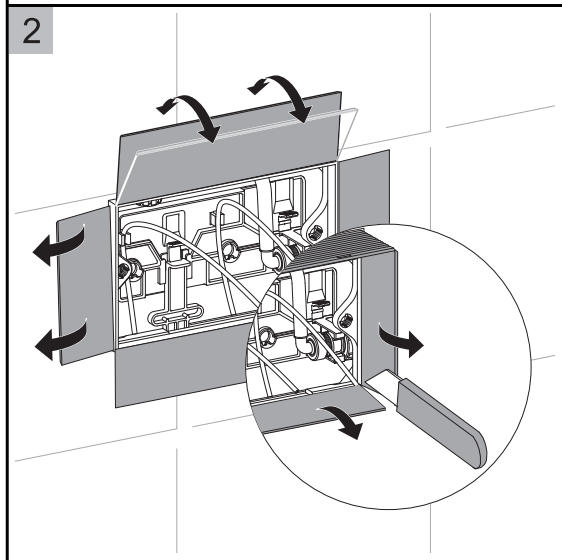
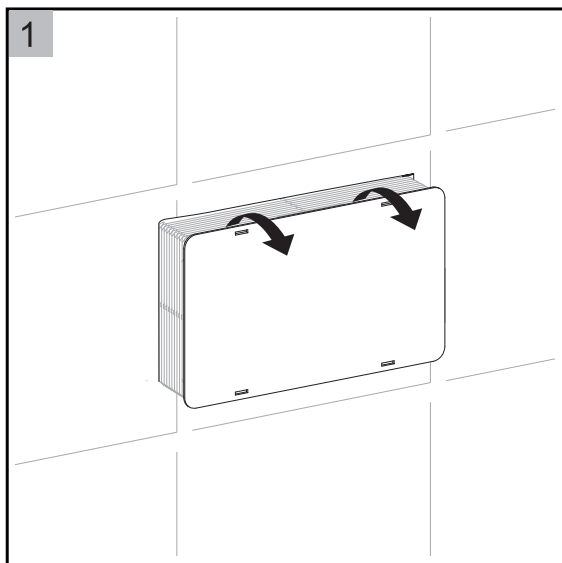
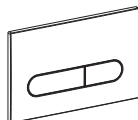


# INSTALLATION INSTRUCTIONS

## COMO FLUSH PANEL

SPF30

progetto  
DESIGN COLLECTION



Distributed by:

**Plumblin**e

T 04 568 9898 E sales@plumblin.e.co.nz  
www.plumblin.e.co.nz

