

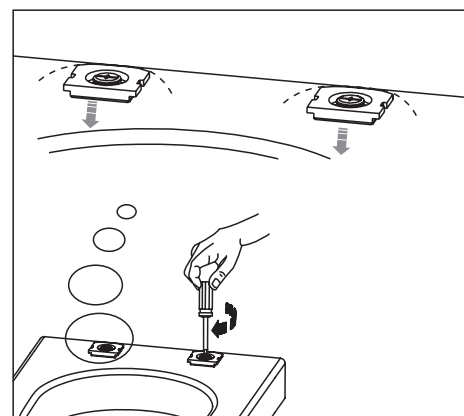
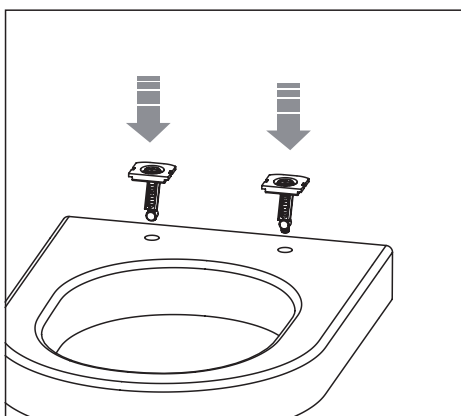
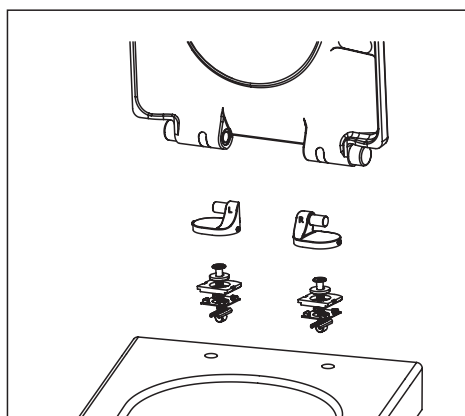
INSTALLATION INSTRUCTIONS

UNIVERSAL TOILET SEAT RING WITH STABILITY BUFFERS | HF105SR

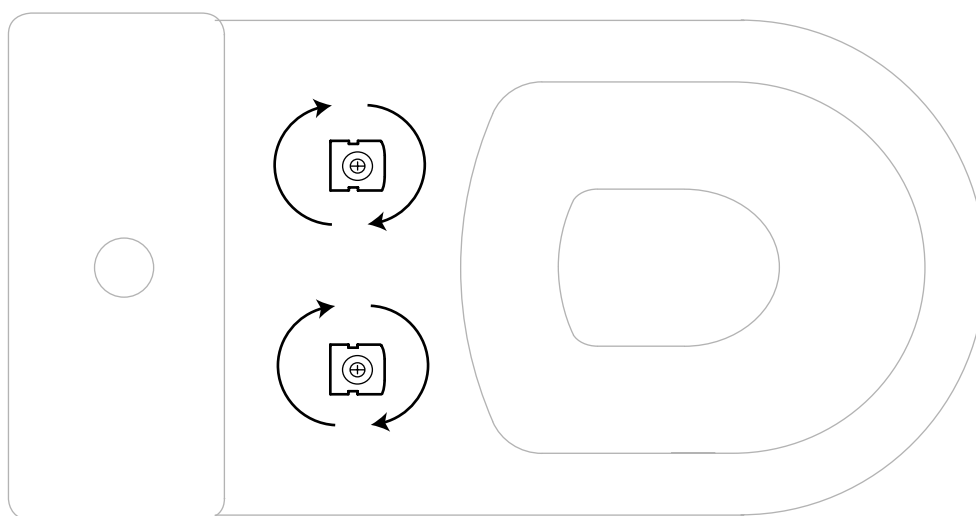


1 Insert the bolts down through the fixing plates and fixing holes in the toilet pan.

2 Fasten each of the two fixing plates on to the toilet pan, whilst not fully tightening them up to allow for moving them into the desired position.



Note: The mounting plates are reversible and the hinge mounts are eccentric which allows the seat to fit multiple size toilet pans. To suit longer toilet pans the flat side of the fixings may need face back to the cistern as shown in the below illustration. Refer step 5.



Distributed by:

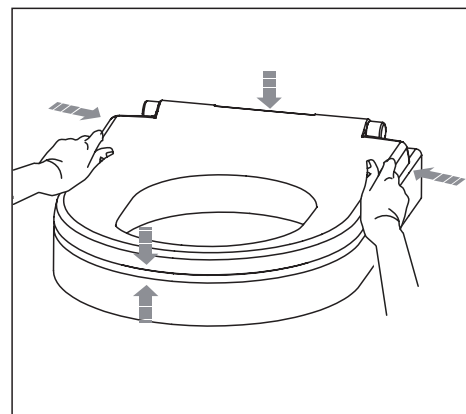
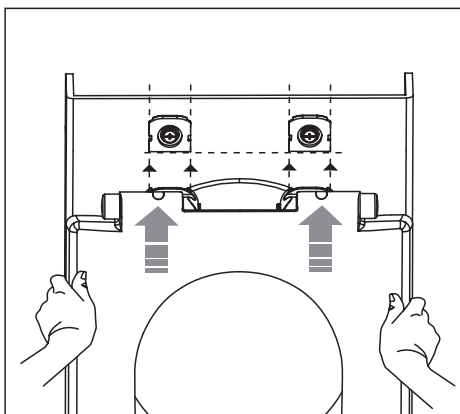
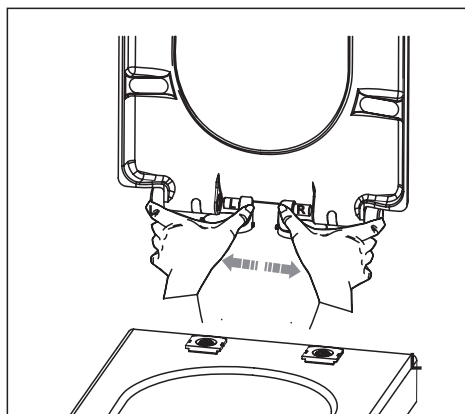
Plumbline

T 04 568 9898 E sales@plumblin.e.co.nz
www.plumblin.e.co.nz

3 Insert the hinges mounts into the slots on both sides of of the seat.

4 Slide the seat onto the mounting plates.

5 Position the toilet seat ring in the desired position. As noted on the previous page for longer toilet pans the mounting plates & eccentric hinge mounts may need to be reversed.



6 Once the correct location/ orientation of the hinge mounts has been determined, tighten firmly in place.

7 Slide the seat onto the mounting plates.

8 Tighten the locking grub screws on either side of the fixing. **IMPORTANT:** The grub screws must align with the divots on the sides of the mounting plates.

