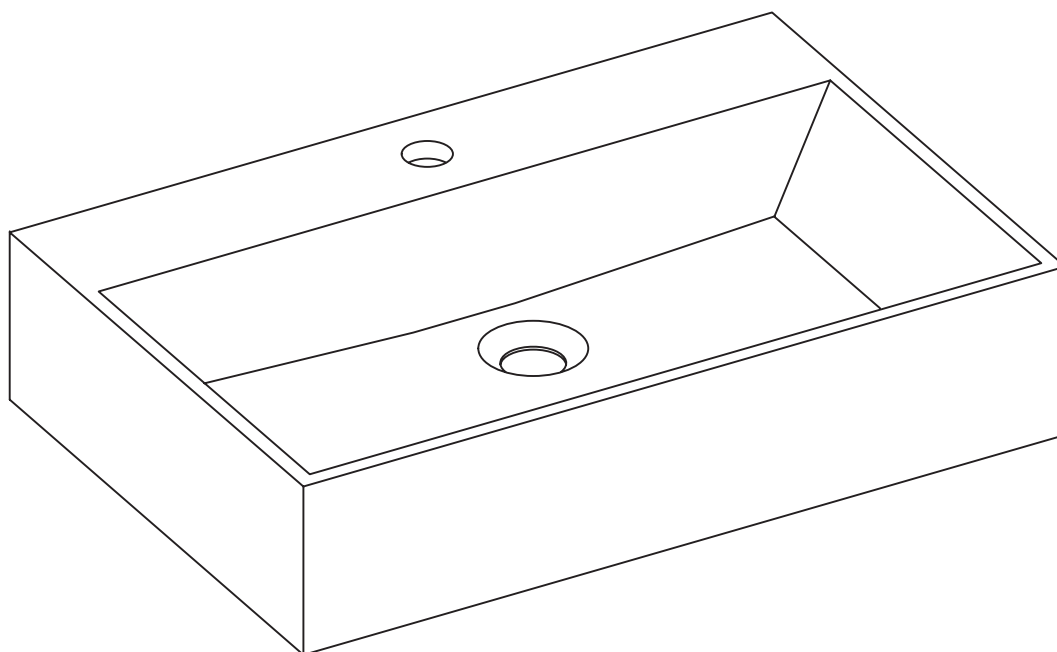


# INSTALLATION INSTRUCTIONS

## VERSO/SFERA/PREMIUM WALL HUNG BASINS



### IMPORTANT!

Please read these instructions **prior** to installation

Because the weight of a wall hung basin and the weight that comes from people leaning on the basin can crush the wall lining if a plaster board is used, we recommend wall hung basins are installed against a cement based non-compressible wall lining.

Distributed by:

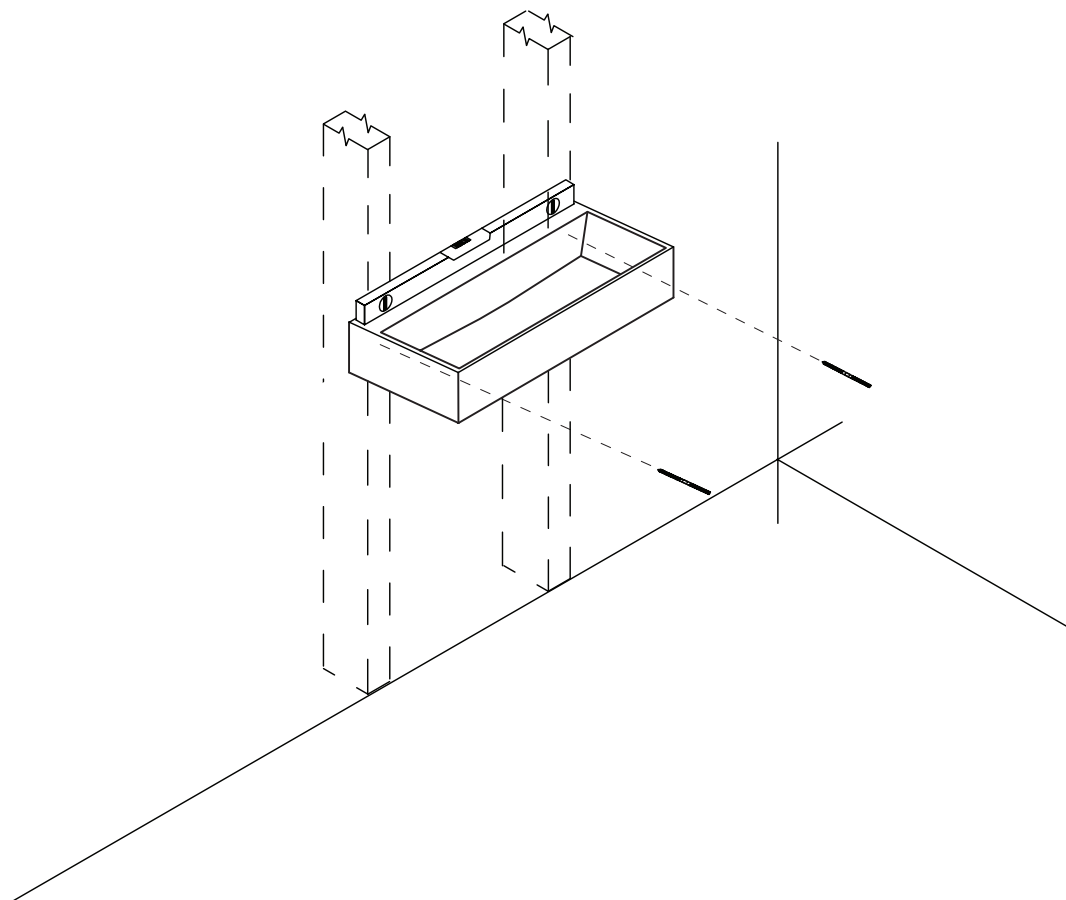
**Plumblin**e

Exceptional Bathrooms.  
Exceptional Choice.

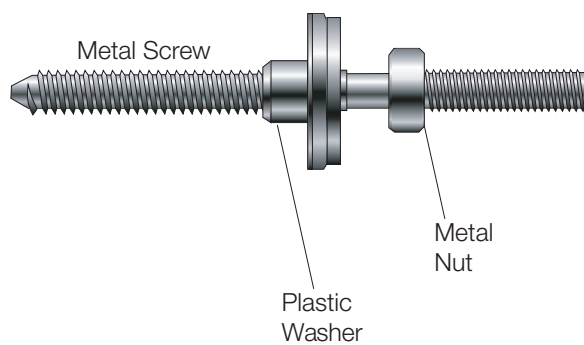
T 04 568 9898 E [sales@plumblin.e.co.nz](mailto:sales@plumblin.e.co.nz)  
[www.plumblin.e.co.nz](http://www.plumblin.e.co.nz)

# Installation Instructions

**⚠ Important!** Before installing, ensure there is sufficient timber framing in the wall to securely fasten your basin to. Refer to the website spec drawing of the chosen basin for the fixing positions on the rear of the basin.

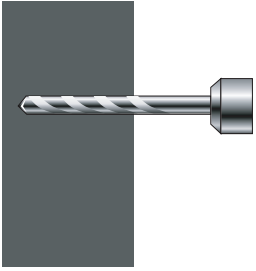


## Bolt Set Supplied

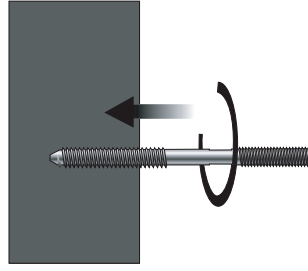


# Installation Instructions

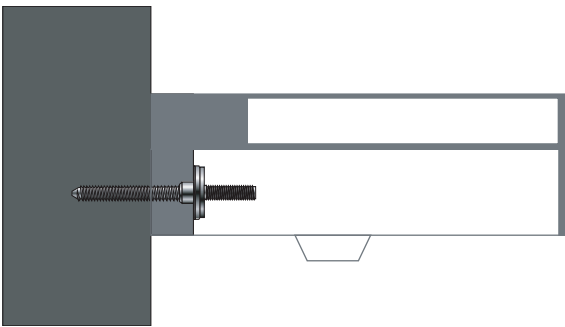
1. Drill holes in the required positions into the timber framing using a 8mm drill bit.



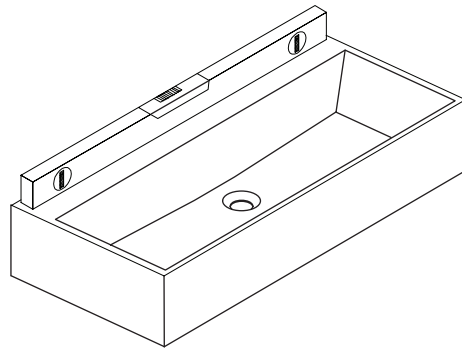
2. Screw a fixing bolt into each hole using a spanner to tighten. Tighten until the spanner contacts the wall.



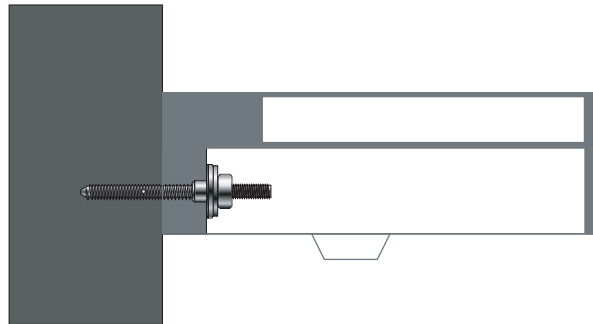
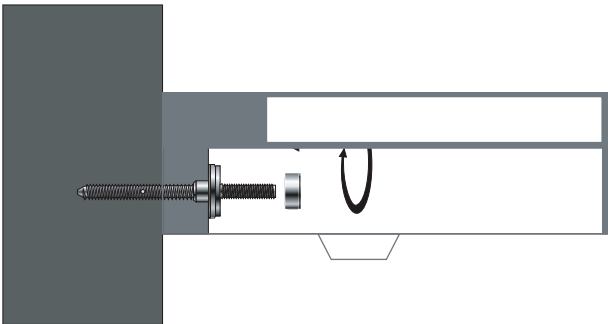
3. Place the basin in position against the wall, locating the fixing bolts through the holes in the rear of the basin. Push a plastic washer onto each fixing bolt.



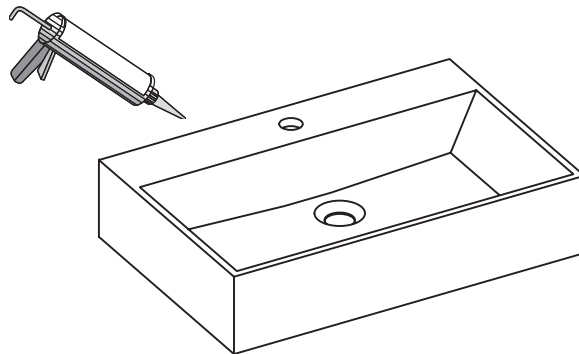
4. Before fixing the basin in place, ensure that the basin is sitting level. Note - Vitreous China basins are subject to variations, therefore packers may be required on the back of the basin in order for it to sit level.



5. Screw the metal nut onto each fixing bolt to secure the basin in place.



6. Apply a small bead of silicone around the back edge of the basin. Finally fit the basin with the chosen tapware, waste and bottle trap.



V 24.10.24

Distributed by:

**Plumblin**e

Exceptional Bathrooms.  
Exceptional Choice.

T 04 568 9898 E sales@plumblin.co.nz  
www.plumblin.co.nz