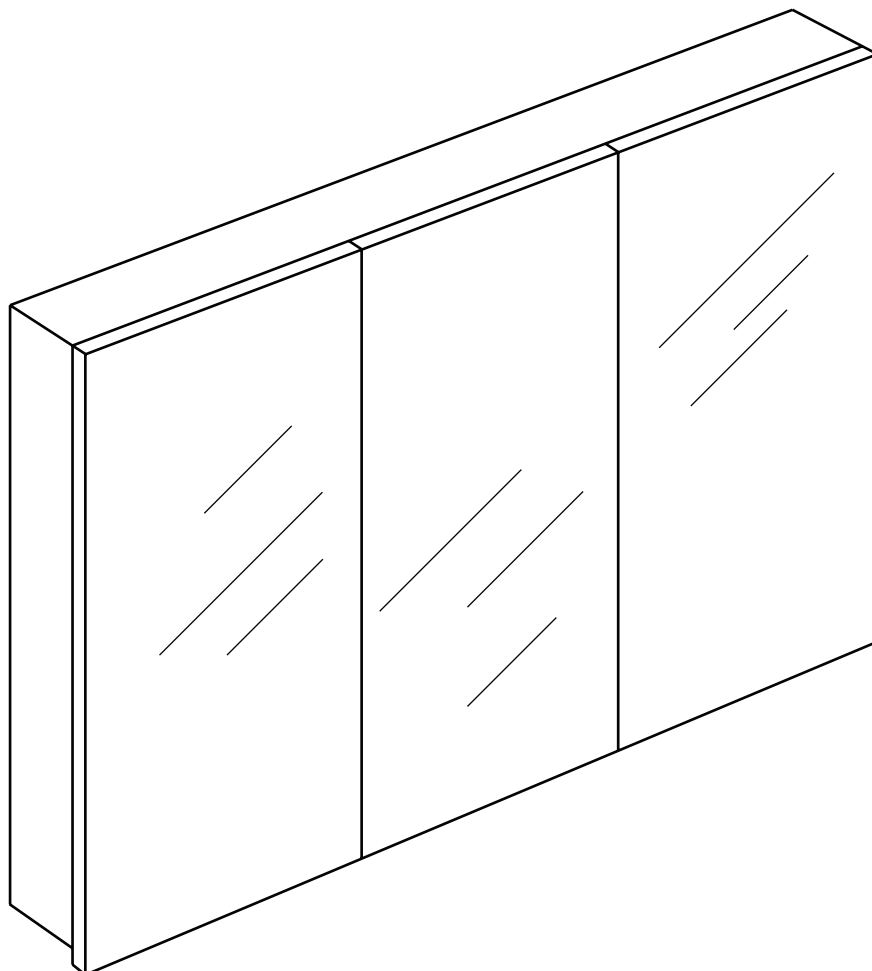


INSTALLATION INSTRUCTIONS

MIRROR CABINETS AND MIRROR PANELS

progetto



IMPORTANT!

Please read these instructions **prior** to installation

Distributed by:

Plumbline

T 04 568 9898 E sales@plumblin.co.nz
www.plumblin.co.nz

Progetto Bathroom Furniture products are manufactured from the finest materials and when treated with care will last many years.

Cabinets

Materials used are water resistant and not waterproof. All spillage or leakage of water that may come in contact with the unit should be carefully dried immediately as water damage is not a justifiable claim. Keep heat away from the cabinet and avoid metal or sharp objects which could scratch and damage the surface.

Clean the cabinet with a soft damp cloth and a liquid household cleaner and dry off all surfaces after cleaning. Abrasive cleaners should never be used.

Warm soapy water is the best cleaning product for most cabinetry products including melamine and thermoform.

Mirror Glass

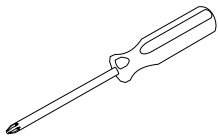
Use a soft, damp cloth and a mild liquid household cleaner to gently clean the mirror. Always dry the surface thoroughly after cleaning, this can be done with a microfibre cloth. Avoid abrasive cleaners or scouring pads, as these can scratch the glass.

Warm, soapy water is ideal for cleaning mirror surfaces. This gentle approach ensures your mirror stays clear and beautiful while preventing damage.

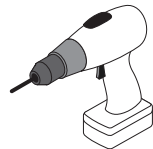
General Installation Instructions

It is recommended that a qualified, licensed tradesperson install your unit. This unit carries a full warranty against faulty workmanship and material. Prior to installation it is important to inspect the unit to ensure no defects or no damage has occurred in transit as the warranty does not cover the cost of removal and installation once installed. The warranty will be null and void if damage occurred after installation.

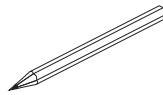
Tools Required For Installation



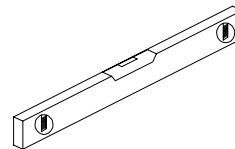
Screwdriver



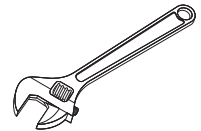
Drill & Drill Bits



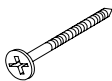
Pencil



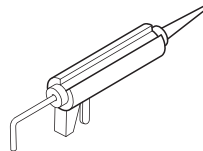
Level



Adjustable Wrench



Wood Screws



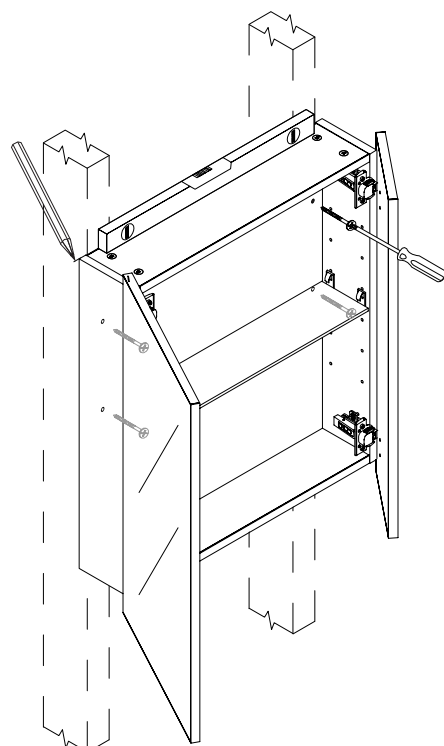
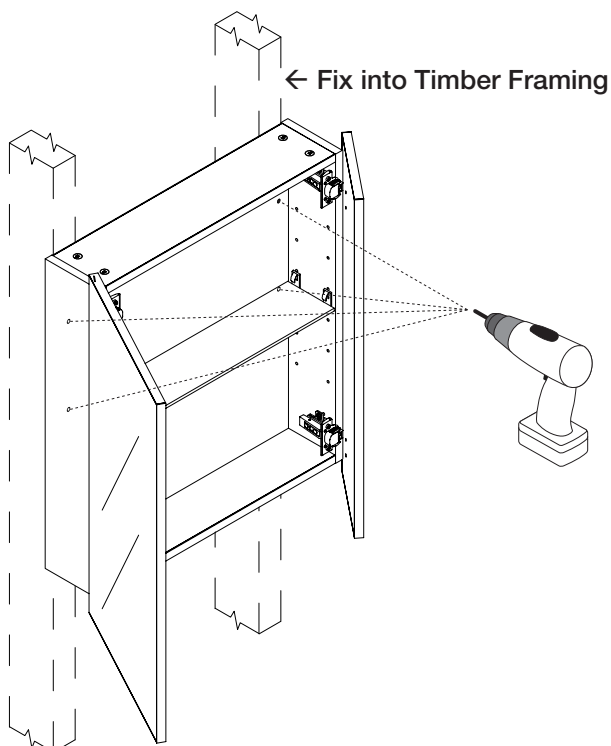
Caulking Gun/Silicone

Mirror Cabinets

△ Important! Before installing ensure there is sufficient timber framing in the wall to securely fasten your mirror cabinet to.

1. Pre-drill 5mm holes as follows in the back of the mirror cabinet. Holes will need to be positioned where there is timber framing. Where possible, it is recommended they align with the shelves to conceal the screw holes.

2. Mark your preferred mirror cabinet height on the wall and fix the mirror cabinet to the wall using wood screws. Special attention must be made to ensure the wall tower is level and straight.



⚠ Important! Not all mirror cabinets can be recessed fully into the wall, refer to the website specification sheet of the chosen mirror cabinet for details on the maximum depth the cabinet can be recessed in to the wall.

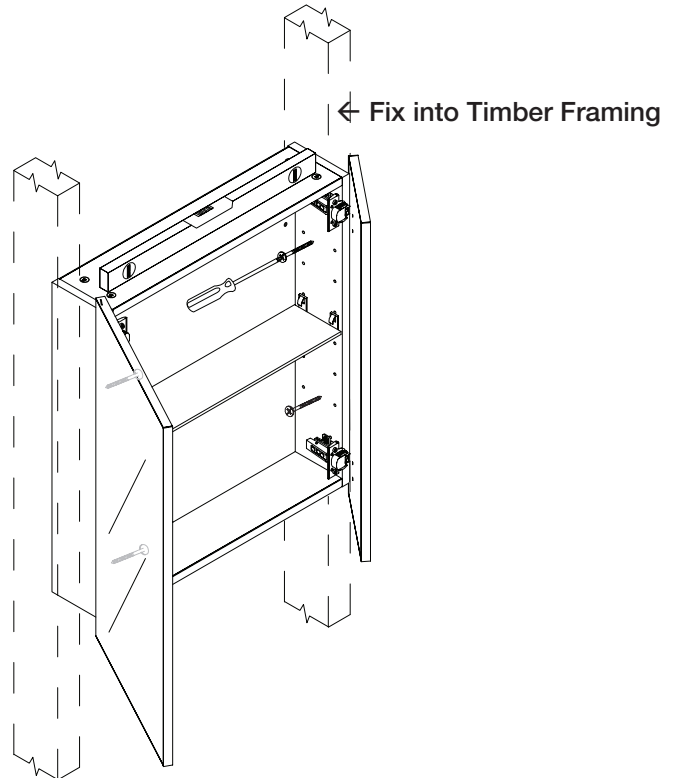
It is also recommended that there is gap between the finished wall lining and the back of the mirror doors for ease of opening the cabinet doors.

1. Pre-drill 5mm holes in the sides of the mirror cabinet. Holes will need to be positioned where there is timber framing. Where possible, it is recommended they align with the shelves to conceal the screw holes.

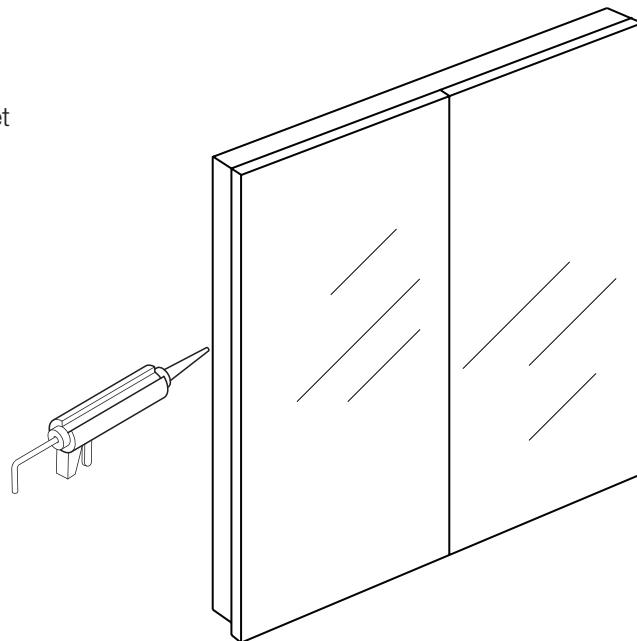
Note - Due the cabinet being recessed into the wall there is likely no space for framing behind the cabinet, this will mean that the cabinet needs to be fixed through the sides.

2. Fasten the cabinet in the wall using wood screws.

Note - This can be done either pre or post wall lining stage.
If this step is carried out pre-wall lining stage the cabinet must have protection over it and the mirror doors must be removed and stored in safe place.
When this step is carried out after the wall is lined, the installer of the wall lining must be made aware of the size and position of the cabinet.

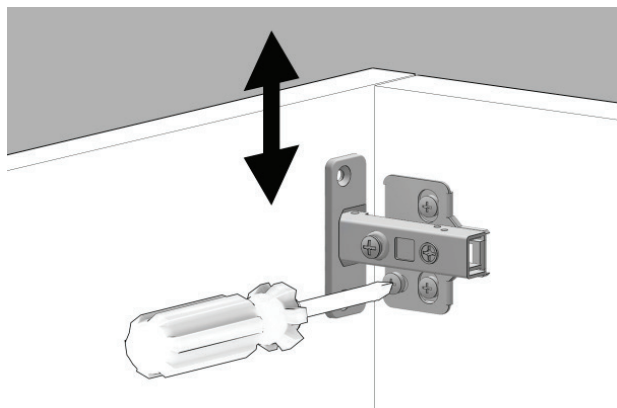


3. Once the wall has been lined, apply a bead of silicone around the back edge between the cabinet and the wall.

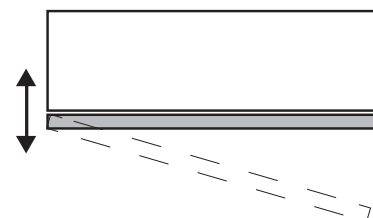
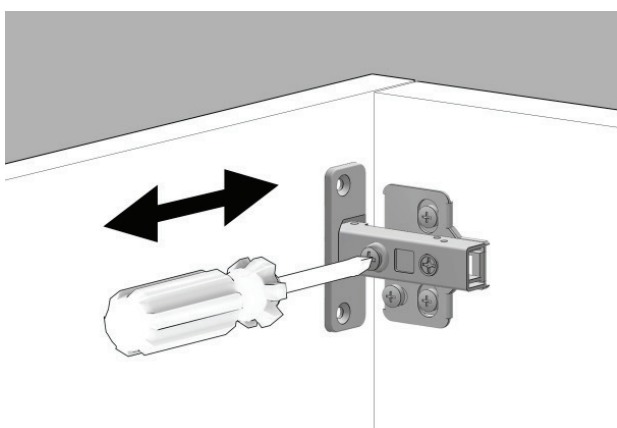


Hinge Adjustment

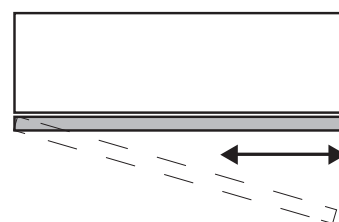
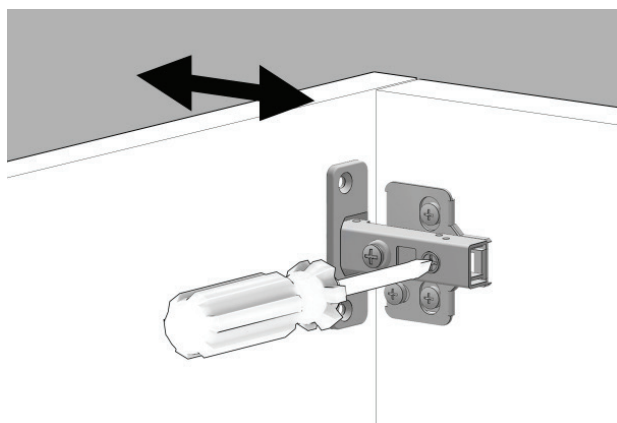
Vertical Adjustment



Depth Adjustment



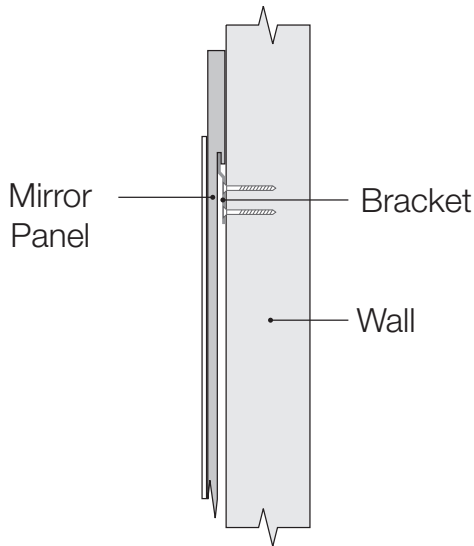
Sideways Adjustment



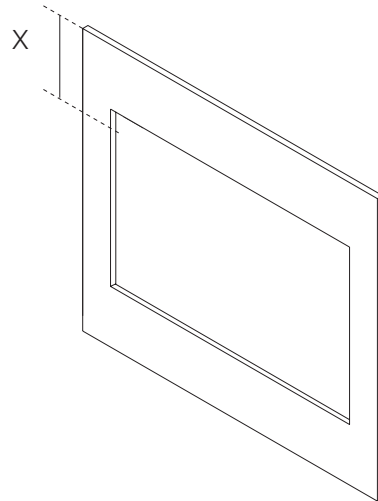
Mirror Panels

⚠ **Important!** Before installing ensure there is sufficient timber framing in the wall to securely fasten your mirror to.

Mirror Panels hang off a wooden French Cleat bracket (supplied) that are screwed to the wall, see illustration below.



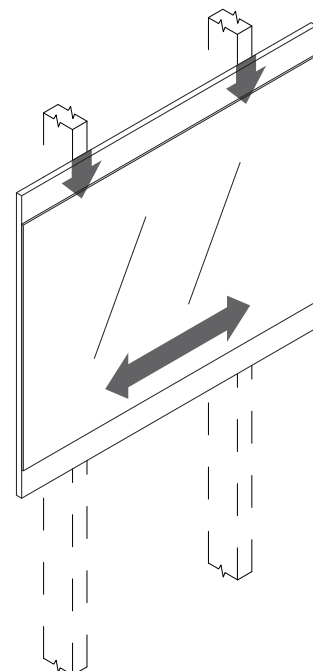
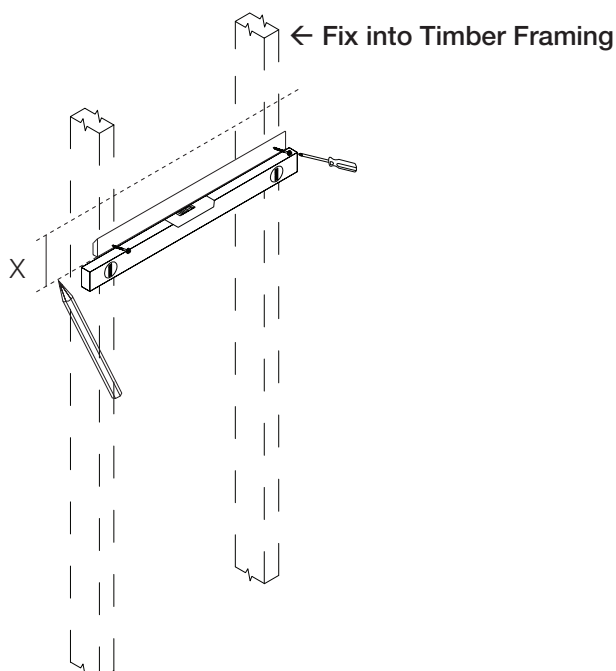
1. Determine the measurement from the top of the mirror panel to the bottom of the bracket (measurement X).



2. Determine your preferred mirror panel height on the wall and mark the position of the bracket (measurement X) below the preferred mirror height. Fix the brackets to the wall using wood screws. Special attention must be made to ensure the bracket is perfectly level.

⚠ **Important!** Note - It is important to ensure the screws do not protrude out from the fixing, this can scratch the back of the mirror.

3. Lower the mirror panel onto the brackets. Before it is properly seated on the brackets ensure that it is aligned laterally in the correct position.



Warranty Information

Progetto Bathroom Furniture products carry a ten (10) year warranty from date of purchase. Proof of purchase needs to be supplied by the purchaser when making a claim.

Plumblin (the NZ distributor for Progetto) warrants that in the manufacture of its products only high quality workmanship and materials have been used. If within the warranty period there should be a fault with either materials or workmanship Plumblin will either (at its sole discretion) repair or replace the faulty product, but will not be responsible for removal and installation costs.

This warranty does not cover damage by improper installation, abuse, accident, excessive wear and tear, improper care and maintenance, natural causes (sunlight and water), water temperatures above 55°C, humidity and over environmental conditions.

IMPORTANT NOTE: Under no circumstances tile vanity cabinets and/or tops 'into' the wall.

Progetto vanity cabinets & tops must be fitted to finished wall coverings. The Warranty does not cover any vanity and/or top that has been tiled 'into' a wall i.e., fitting or fixing a vanity to a wall and tiling into the side and around it, and/or tiling down and/or around the vanity top.

For full details about our warranty and for details on commercial warranties, visit:

plumblin.co.nz/warranty-information

V23/09/2024

Distributed by:

Plumblīne

T 04 568 9898 E sales@plumblīne.co.nz
www.plumblīne.co.nz