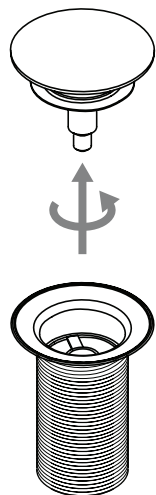


INSTALLATION INSTRUCTIONS

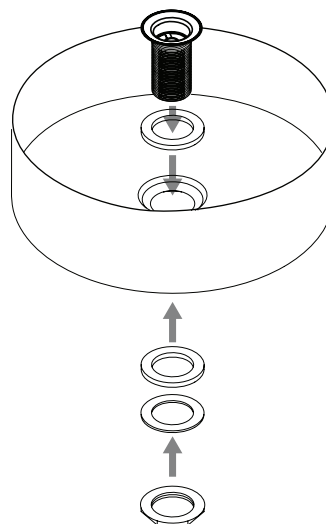
BOTTOM FIX BASIN/BATH WASTE

progetto

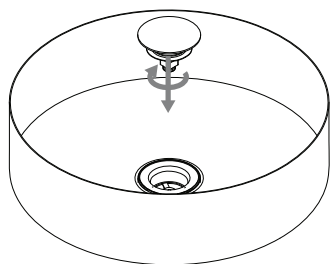
- 1
Firstly, remove the waste cap and mechanism.



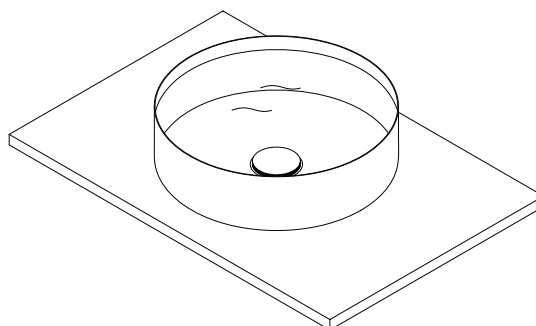
- 2
Place the waste down through the waste hole while ensure all supplied washers are used. Then, while holding the waste in place fasten the locking nut.



- 3
Screw the waste cap and mechanism down into place.



- 4
Finally, connect the waste to the trap and test for performance and ensure that there are no leaks.



Distributed by:

Plumbline

T 04 568 9898 E sales@plumblin.e.co.nz
www.plumblin.e.co.nz