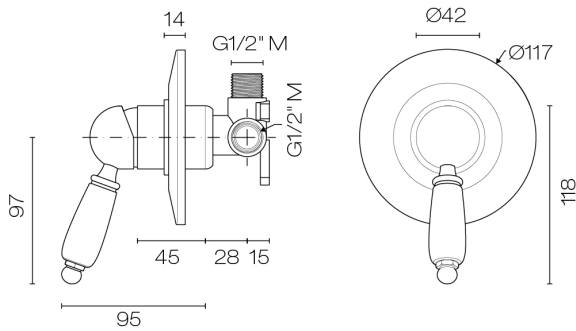


Empire Shower Mixer

Code: CON07



Brand	Mckinley
Origin	Italy
Finish	Chrome
Material	Brass
Installation	Wall mount
Backplate	115mm
Warranty	5 Years
Cartridge	35A
Material	Brass
Other Information	Ceramic disc cartridges



Scan to View
Product Online



Empire Shower Mixer

Code: CON07

Building Product Information Requirements (BPIR)

Manufacturer	Plumblineline
Building Code Clauses	G12 (Water Supply) Performance Clause G12.2.1 / B2 (Durability) B2.3.1 (c)
Compliance Evidence	This product complies with the clauses B2.3.1 (c) and G12.2.1. The product has an in-service history of 6+ years and has industry-leading performance qualities. Compliance is as per verification method B2/VM1. The cartridge has ISO 9001 & ASNZS 4020: 2018 certification.
Condition of Use	For use in residential and commercial applications. Must be installed by a registered plumber or suitably qualified tradesperson and as per the installation instructions.
Version no.	1.0
Subject to a Warning	No

Scan to View
Product Online

