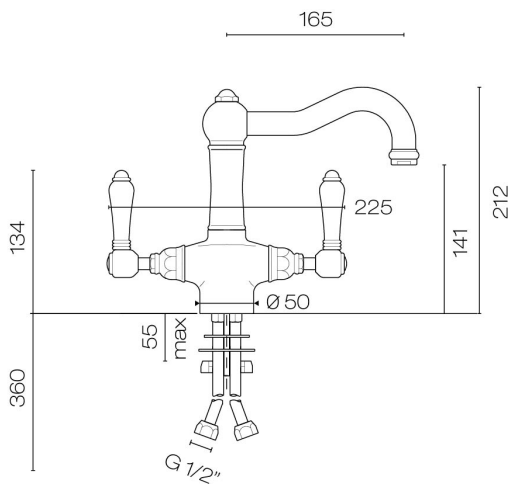


Regal Lever Basin Mixer

Code: 1432LTC



| | |
|--------------------------|--|
| Brand | Nicolazzi |
| Installation | Bench mount |
| WELS Rating | 4 Stars |
| Spout Reach (mm) | 165 |
| Height (mm) | 212 |
| Warranty | 15 Years |
| Waste Size | 32mm |
| Cartridge | C7075 (Right Hand) C7075SX (Left Hand) |
| Material | Brass |
| Approx Lead Time | 6-8 weeks may apply for some finishes. Please enquire for accurate leadtime. |
| Notes | Mains Pressure. Swivel spout |
| Other Information | Suitable for outdoor use (OL, OG, OS, TB Finishes only) |



Scan to View
Product Online



Regal Lever Basin Mixer

Code: 1432LTC

Building Product Information Requirements (BPIR)

| | |
|------------------------------|--|
| Manufacturer | Plumblinc |
| Building Code Clauses | G12 (Water Supply) Performance Clause G12.2.1 / B2 (Durability) B2.3.1 (c) |
| Compliance Evidence | This product complies with the clauses B2.3.1 (c) and G12.2.1. The product has an in-service history of 6+ years and has industry-leading performance qualities. Compliance is as per verification method B2/VM1. The cartridge has ISO 9001 & ASNZS 4020: 2018 certification. |
| Condition of Use | For use in residential and commercial applications. Must be installed by a registered plumber or suitably qualified tradesperson and as per the installation instructions. |
| Version no. | 1.0 |
| Subject to a Warning | No |

Scan to View
Product Online

