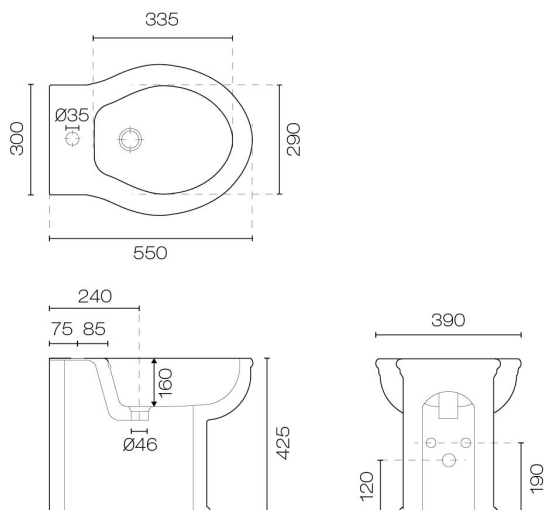


Impero Back to Wall Bidet

Code: 230101



| | |
|---------------------|---------------------|
| Brand | Mckinley |
| Origin | Italy |
| Colour | White |
| Finish | Gloss |
| Installation | Floor Mount |
| Width (mm) | 390 |
| Depth (mm) | 550 |
| Height (mm) | 425 |
| Warranty | 10 Years |
| Overflow | Yes |
| Taphole | 1 |
| Material | Ceramic |
| Notes | Requires 32mm waste |



Scan to View
Product Online



Impero Back to Wall Bidet

Code: 230101

Building Product Information Requirements (BPIR)

| | |
|------------------------------|--|
| Manufacturer | Plumblinc |
| Building Code Clauses | G1 (Personal Hygiene) Performance Clause G1.3.2 / G13 (Foul Water) Performance Clause G13.3.1 / B2 (Durability) B2.3.1 (c) |
| Compliance Evidence | Clauses relating to this product are aimed at the installer. Please find comprehensive installation instructions on the product information page. The product is designed to enable the installer to comply with the building code. The product complies with the clause B2 (Durability) B2.3.1 (c). |
| Condition of Use | For use in residential and commercial applications. Must be installed by a registered plumber or suitably qualified tradesperson and as per the installation instructions. |
| Version no. | 1.0 |
| Subject to a Warning | No |

Scan to View
Product Online

