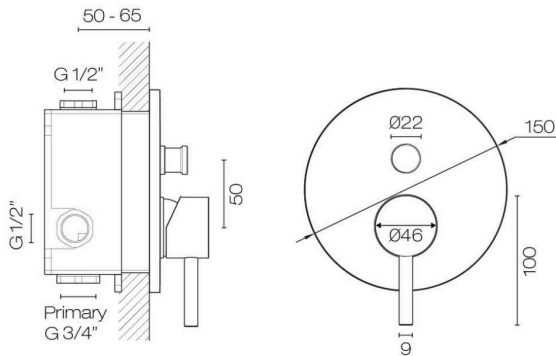


Swiss Diverter Mixer

Code: SW2100.BS



Brand	Plumbline
Colour	Brushed Stainless Steel
Finish	Brushed
Backplate	∅150mm
Warranty	15 Years
Cartridge	40A
Material	304 Grade Stainless Steel
Cleaning and Maintenance	For surface finish care, Plumbline recommends to use Stainless Steel/Inox cleaner polish oil available from any homewares store.



Scan to View
Product Online



Swiss Diverter Mixer

Code: SW2100.BS

Building Product Information Requirements (BPIR)

Manufacturer	Plumblinc
Building Code Clauses	G12 (Water Supply) Performance Clause G12.2.1 / B2 (Durability) B2.3.1 (c)
Compliance Evidence	This product complies with the clauses B2.3.1 (c) and G12.2.1. The product has an in-service history of 6+ years and has industry-leading performance qualities. Compliance is as per verification method B2/VM1. The cartridge has ISO 9001 & ASNZS 4020: 2018 certification.
Condition of Use	For use in residential and commercial applications. Must be installed by a registered plumber or suitably qualified tradesperson and as per the installation instructions.
Version no.	1.0
Subject to a Warning	No

Scan to View
Product Online

